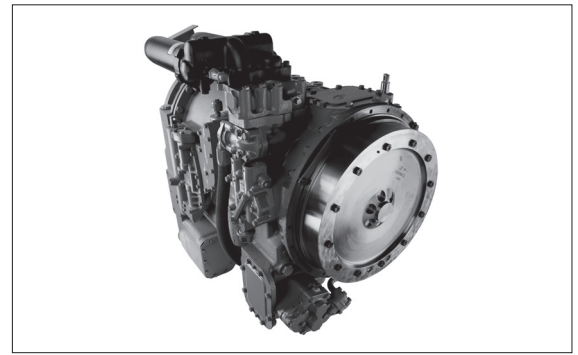




## 5600 Series



Off-Highway Series 5600

### RATINGS

Straight-Thru Model		Gross Input Torque N•m (lb-ft)	Gross Input Power kW (hp)	Turbine Torque Net N•m (lb-ft)
H5620	Rear Dump Truck, Coal Hauler, Articulated Dump, Hauling Applications	2542 (1875)	447 (600)	4711 (3475)
M5620	General, Oil Field, Crane Carrier	2542 (1875)	447 (600)	4711 (3475)
	Agricultural Tractor	2237 (1650)	373 (500)	4230 (3120)
	Crash Truck (ARFF Vehicle)	3390 (2500)	559 (750)	5139 (3790)
S5620	General	2542 (1875)	447 (600)	4711 (3475)
	Oil Field Equipment	2915 (2150)	503 (675)	4711 (3475)
	Agricultural Tractor	2237 (1650)	373 (500)	4230 (3120)
	Manual Shift (Non-Oil Field)	2542 (1875)	447 (600)	4711 (3475)
Dropbox Model		Gross Input Torque N•m (lb-ft)	Gross Input Power kW (hp)	Turbine Torque Net N•m (lb-ft)
H5620	Rear Dump Truck, Coal Hauler, Articulated Dump, Hauling Applications	2542 (1875)	447 (600)	4711 (3475)
M5620	General, Oil Field, Crane Carrier	2542 (1875)	447 (600)	4711 (3475)
	Crash Truck (ARFF Vehicle)	2542 (1875)	447 (600)	4711 (3475)
S5620	General	2542 (1875)	447 (600)	4711 (3475)
	Oil Field Equipment	2542 (1875)	447 (600)	4711 (3475)

### ENGINE INTERFACE

Acceptable full-load engine governed speed	1900 – 2500 rpm
Minimum engine idle speed range (with transmission in Drive)	550 rpm

### MOUNTING

Direct	SAE No.1 automatic flywheel housing with flexplate drive. Cradle mount using engine flywheel housing mounting pads and transmission rear cover mounting pads (or dropbox side pads, if applicable) with 0.625-11 inch series bolts
Remote	Side pads on transmission rear cover (or dropbox side pads, if applicable) plus front trunnion mount

### TORQUE CONVERTER

Type Single stage, three element, polyphase.

Model	Stall Torque Ratio	Kp-Factor* at Stall
TC-580	2.89	53.4 (62.2)
TC-680	2.08	46.9 (54.6)
TC-682	1.77	37.5 (43.7)
TC-683	1.85	30.1 (35.1)

\* Kp-Factor defines torque converter capacity. Kp = the ratio of converter pump speed [rpm] divided by the square root of the pump torque [N•m (lb-ft)]

### MECHANICAL RATIOS (Gear ratios do not include torque converter multiplication)

Range	
First	4.00 : 1
Second	2.68 : 1
Third	2.01 : 1
Fourth	1.35 : 1
Fifth	1.00 : 1
Sixth	0.67 : 1
Reverse 1	-5.15 : 1
Reverse 2	-3.46 : 1

### Ratio Coverage

Forward	5.97
Dropbox, if applicable	1.00:1

### CONTROL SYSTEM

Description	Automatic electronic, manual electric, manual hydraulic
-------------	---

**OPTIONAL ENGINE-DRIVEN POWER TAKE-OFF PROVISION**

Side mount

Location	5 o'clock position, as viewed from rear	
PTO drive gear rating	Intermittent	46 tooth drive gear, 149 kW (200 hp)
	Continuous	46 tooth drive gear, 93 kW (125 hp)

Top Mount

Location	12 o'clock position, as viewed from rear	
PTO drive gear rating	Intermittent	46 tooth drive gear, 149 kW (200 hp)
	Continuous	46 tooth drive gear, 93 kW (125 hp)

**ELECTRONIC SPEEDOMETER PROVISION**

Description	LS-TTL signal, 39 pulses per output shaft revolution
Location	Output signal from transmission TCM

**OUTPUT RETARDER PROVISION (OPTION)**

Type	Integral, hydraulic	
Capacity	Torque	Power
	2034 N•m (1500 lb-ft)	447 kW (600 hp)

**SIZE**

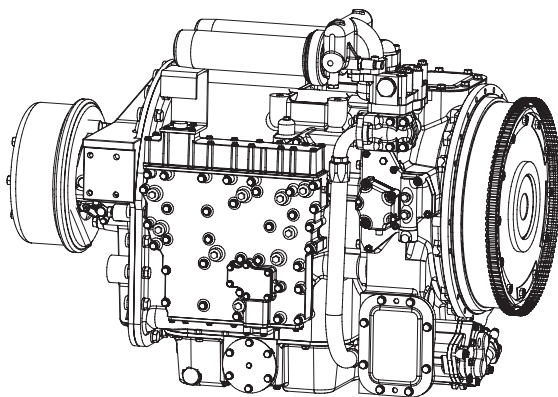
Depth (below horizontal centerline)	STRAIGHT-THRU		DROPBOX (with disconnects)	
	Basic	With Retarder	Basic	With Retarder
	433 mm (17.0 in)		678 mm (26.7 in)	
Length (direct mount) <sup>2,3</sup>	1095 mm (43.1 in)	1182 mm (46.6 in)	1185 mm (46.7 in)	1273 mm (50.1 in)
Width	726 mm (28.6 in)	805 mm (31.7 in)	734 mm (28.9 in)	805 mm (31.7 in)
	Height	Dry Weight	Height	Dry Weight
Basic model	788 mm (31.0 in)	998 kg (2200 lb)	1034 mm (40.7 in)	1247 kg (2750 lb)
With direct mount filters	904 mm (35.6 in)	998 kg (2200 lb)	1150 mm (45.3 in)	1247 kg (2750 lb)
With top engine-driven PTO drive gear		1012 kg (2230 lb)		1261 kg (2780 lb)
With park brake (12" x 5")		1025 kg (2260 lb)		1274 kg (2810 lb)
With remote mount		1023 kg (2255 lb)		1272 kg (2805 lb)
With retarder		1073 kg (2365 lb)		1322 kg (2915 lb)

**OIL SYSTEM**

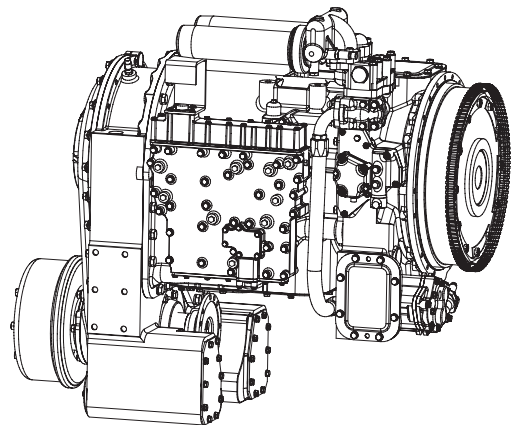
Oil type	TES 439 (see <a href="http://www.allisontransmission.com">www.allisontransmission.com</a> for approved list)
Capacity excluding external circuits	68 litres (18.0 gallons)
Dropbox	49 litres (13.0 gallons)
Main circuit oil filter	
Standard	Manifold for full-flow, remote mounted, replaceable element
Optional	Direct-mount full-flow, replaceable elements (2)
Cooler circuit oil filter (optional)	Replaceable element, remote-mounted

1. PTO ratings apply to both top and side. Combined totals cannot exceed individual ratings. 2. For remote mounting, add 254–279 mm (10–11 in), depending on flange selection. 3. Length is approximate from engine/converter mounting surface to face of typical output flange.

**5600 Series**  
Straight-Through Model



**5600 Series**  
Dropbox Model



Information or specifications subject to change without notice or obligation.

