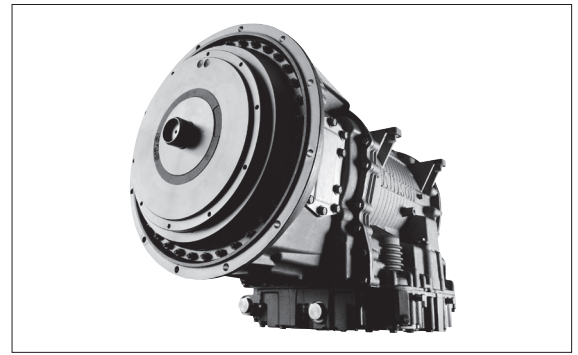




3000/3200 Series



International Series 3000/3200

RATINGS

Model ⁽¹⁾		Gross Input Torque ⁽²⁾ N•m	Gross Input Power ⁽²⁾ kW (hp)	Gross Input Torque ⁽²⁾⁽³⁾ N•m	Gross Input Power ⁽²⁾⁽³⁾ kW (hp)	GWW kg	GCW kg
3000	General	1261	254 (340)	n/a	n/a	n/a	n/a
	Refuse, Concrete Mixer	1186	239 (320)	n/a	n/a	28,500	n/a
	Fire Truck, Emergency	1424	261 (350)	n/a	n/a	n/a	n/a
	Dock Spotter, Tow Tractor	1261	246 (330)	n/a	n/a	n/a	36,288
	Non-North American School Bus	1254	224 (300)	n/a	n/a	20,415	20,415
	Ag Spreader, Sprayer, Blower, Feedlot Truck	1288	235 (315)	n/a	n/a	n/a	n/a
3000 ORS	Articulated Dump	900	186 (250)	n/a	n/a	44,500	n/a
	Rigid Dump	900	186 (250)	n/a	n/a	44,500	n/a
3000 SP	Specialty / Military	1424	261 (350)	n/a	n/a	n/a	n/a
3200	General	1491	276 (370)	1695 ⁽⁴⁾	276 (370)	n/a	n/a
	Refuse, Concrete Mixer	1491	276 (370)	1695 ⁽⁴⁾	276 (370)	28,500	n/a
	Fire Truck, Emergency	1695	336 (450)	n/a	n/a	n/a	n/a
	Dock Spotter, Tow Tractor	1491	276 (370)	1695 ⁽⁴⁾	276 (370)	n/a	36,288
	Ag Spreader, Sprayer, Blower, Feedlot Truck	1695	276 (370)	n/a	n/a	n/a	n/a
	3200 MH	Motorhome	1695	336 (450)	n/a	n/a	n/a
3200 ORS	Articulated Dump	1100	224 (300)	n/a	n/a	44,500	n/a
	Rigid Dump	1100	224 (300)	n/a	n/a	44,500	n/a
3200 SP	Specialty / Military	1695	336 (450)	n/a	n/a	n/a	n/a

(1). Models including vocational designations (ie: ORS, OFS, SP, MH) are for global markets. All other models within this document are targeted for outside North American markets only.
 (2). Gross ratings as defined by ISO 1585 or SAE J1995. (3). Shift Energy Management (SEM) engine controls and torque limiting are required to obtain this rating. (4). Only available in gears three through six.

DRIVETRAIN INTERACES

Acceptable full-load engine governed speed	2000 – 2800 rpm
Acceptable engine idle speed range (with transmission in Drive)	500 – 800 rpm
Maximum output shaft speed at 105 km/hr	3600 rpm

MOUNTING

To Engine	SAE No.2
In Chassis	Rear support available (required for some installations)

TORQUE CONVERTER

Type One stage, three element, polyphase.
Includes standard integral damper which is operational in lockup.

MODEL	STALL TORQUE RATIO
TC-411	2.71
TC-413	2.44
TC-415	2.35
TC-417	2.20
TC-418	1.98
TC-419	2.02
TC-421	1.77

MECHANICAL RATIOS (Gear ratios do not include torque converter multiplication)

Range	
First	3.49 : 1
Second	1.86 : 1
Third	1.41 : 1
Fourth	1.00 : 1
Fifth	0.75 : 1
Sixth	0.65 : 1
Reverse	-5.03 : 1

CONTROL SYSTEM

Description	Allison 5th Generation Electronic Controls with closed loop adaptive shifts
Shift Sequences	[C = Converter mode (lockup clutch disengaged); L = Lockup mode (lockup clutch engaged)] Option 1: 1C-[1L]-2C-2L-3L-4L Option 2: 1C-[1L]-2C-2L-3L-4L-5L Option 3: 1C-[1L]-2C-2L-3L-4L-5L-6L
Driver-to-Transmission Interface	Cab-mounted shift selector, pushbutton or lever with two-digit display (range selected and range attained)
Communication Protocol-Engine/Vehicle Sytems Interface	SAE J1939, IESCAN, PT-CAN

PHYSICAL DESCRIPTION

	Length*	Dry Weight	Depth below transmission centerline	
			With Shallow Oil Sump	With Deep Oil Sump
Basic Model	740 mm	243 kg	283 mm	328 mm
With PTO Drive Provision	846 mm	260 kg	283 mm	328 mm
With Retarder	740 mm	280 kg	283 mm	328 mm
With PTO Drive Provision and Retarder	846 mm	300 kg	283 mm	328 mm

*Approximate length from engine housing to output flange (depending on output flange type)

ENGINE-DRIVEN POWER TAKE-OFF PROVISION

Mounting pad positions viewed from rear	Drive gear rating with one PTO N•m	Drive gear rating with two PTOs N•m	PTO Drive Gear	Drive
4 o'clock and 8 o'clock (Standard)	660	930	68 tooth	Engine
1 o'clock and 8 o'clock (Optional)	660	930	83 tooth	Engine
Fire and Emergency	910	930		

(1) Intermittent rating to 1068 N•m

OUTPUT RETARDER PROVISION (OPTION)

Type	Integral, hydraulic		
	Torque	Capacity	Power
Low	1490 N•m		298 kW
Medium	1763 N•m		373 kW
High	2170 N•m		447 kW

OIL SYSTEM

Allison approved fluids: TES 295 and TES 389	
Capacity including PTO, excluding external circuits	
With Deep Oil Sump	28 litres
With Shallow Oil Sump	25 litres
Main circuit oil filter	Replaceable element, integral
Cooler circuit oil filter	Replaceable element, integral
Electronic oil level sensor (OLS)	Standard

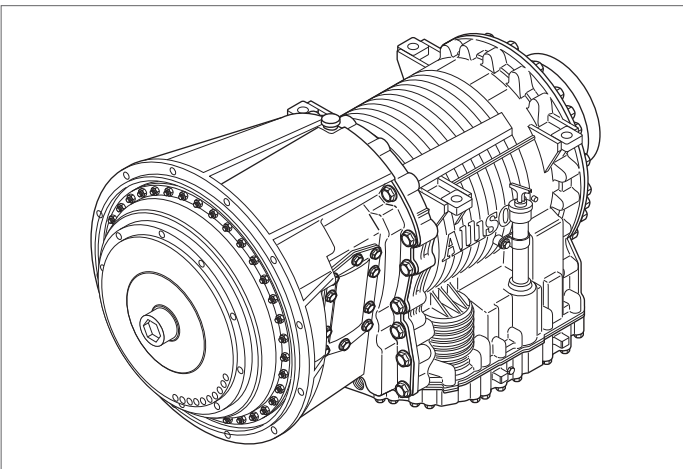
SPEEDOMETER PROVISION

Description	Non-zero-crossing square wave
	8, 16 or 40 pulses per revolution of transmission output shaft
Location	Electronic output from TCM

TACHOGRAPH PROVISION

Tone wheel	4 or 6-tooth
Mounting	M18 x 1.5 metric thread
Location	Transmission rear cover or retarder housing

3000/3200 Series
With Shallow Sump and PTO



3000/3200 Series
With Retarder, PTO and Deep Oil Sump

